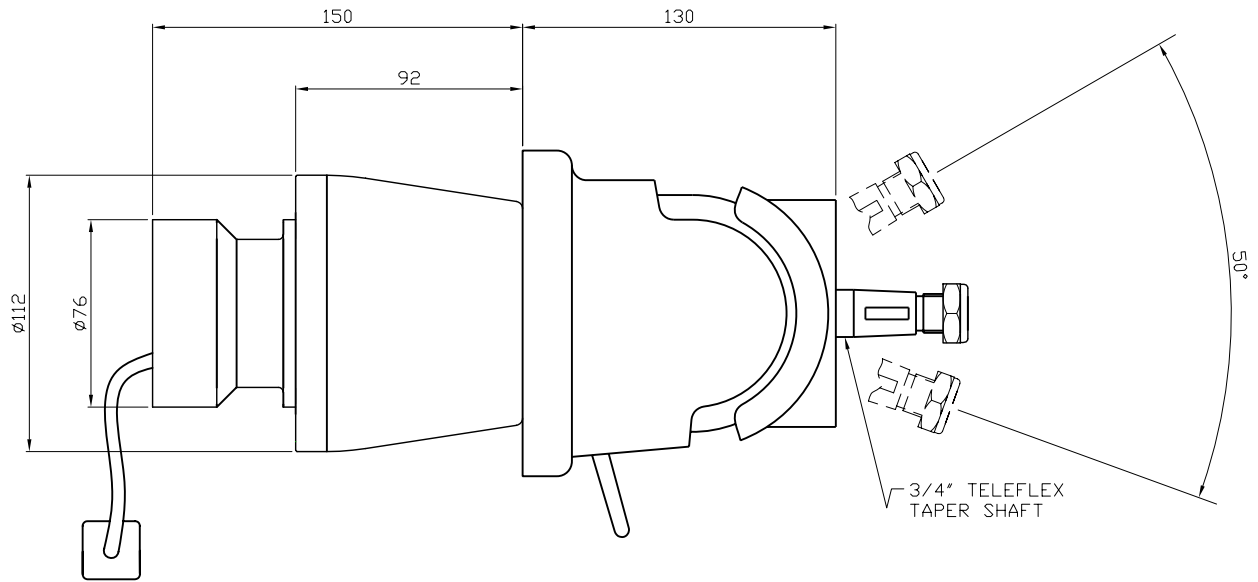
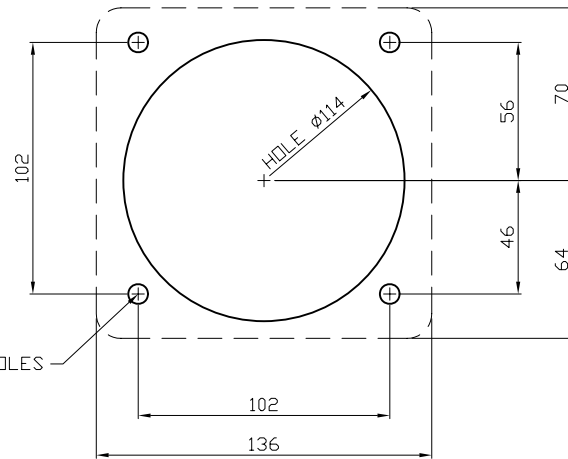


4 OFF HOLES
TO SUIT 1/4"
MOUNTING SCREWS



3/4" TELEFLEX
TAPER SHAFT



4 OFF HOLES
Ø8 THRD'

HELM CUT-OUT
DIMENSIONS.
HELM OUTLINE
SHOWN DOTTED.
REFERENCE ONLY



TITLE:

ELECTROHELM + TILT

DRAWN: MC

DATE: 1/5/07

DRG. NO:

HM5200

THIS DRAWING IS THE PROPERTY OF HYPRO MARINE AND MUST NOT BE COPIED IN WHOLE OR PART WITHOUT WRITTEN CONSENT

ISSUE: 1 - ORIGINAL