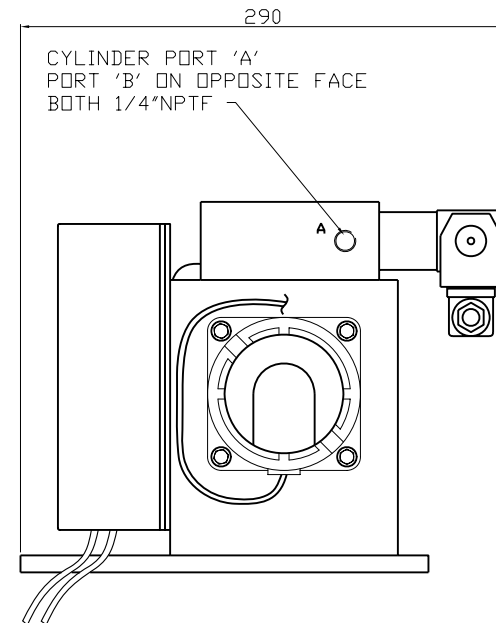


CURRENT DRAW: (24VDC UNIT)
 TYP. 35-40A MAX. @ 1500PSI (100BAR)

NOM. MAX. FLOW - 3 LPM

OIL CAPACITY: 2.5 LITRE NOM.
 WEIGHT: 13kg WITHOUT OIL



Hypro
 MARINE

TITLE: DC ELECTRO-HYDRAULIC
 POWER UNIT FOR ECS

DRAWN: MC
 DATE: 1/8/07

DRG. NO:
 HM5190

THIS DRAWING IS THE PROPERTY OF HYPRO MARINE AND MUST NOT BE COPIED IN WHOLE OR PART WITHOUT WRITTEN CONSENT

ISSUE: 1 - ORIGINAL